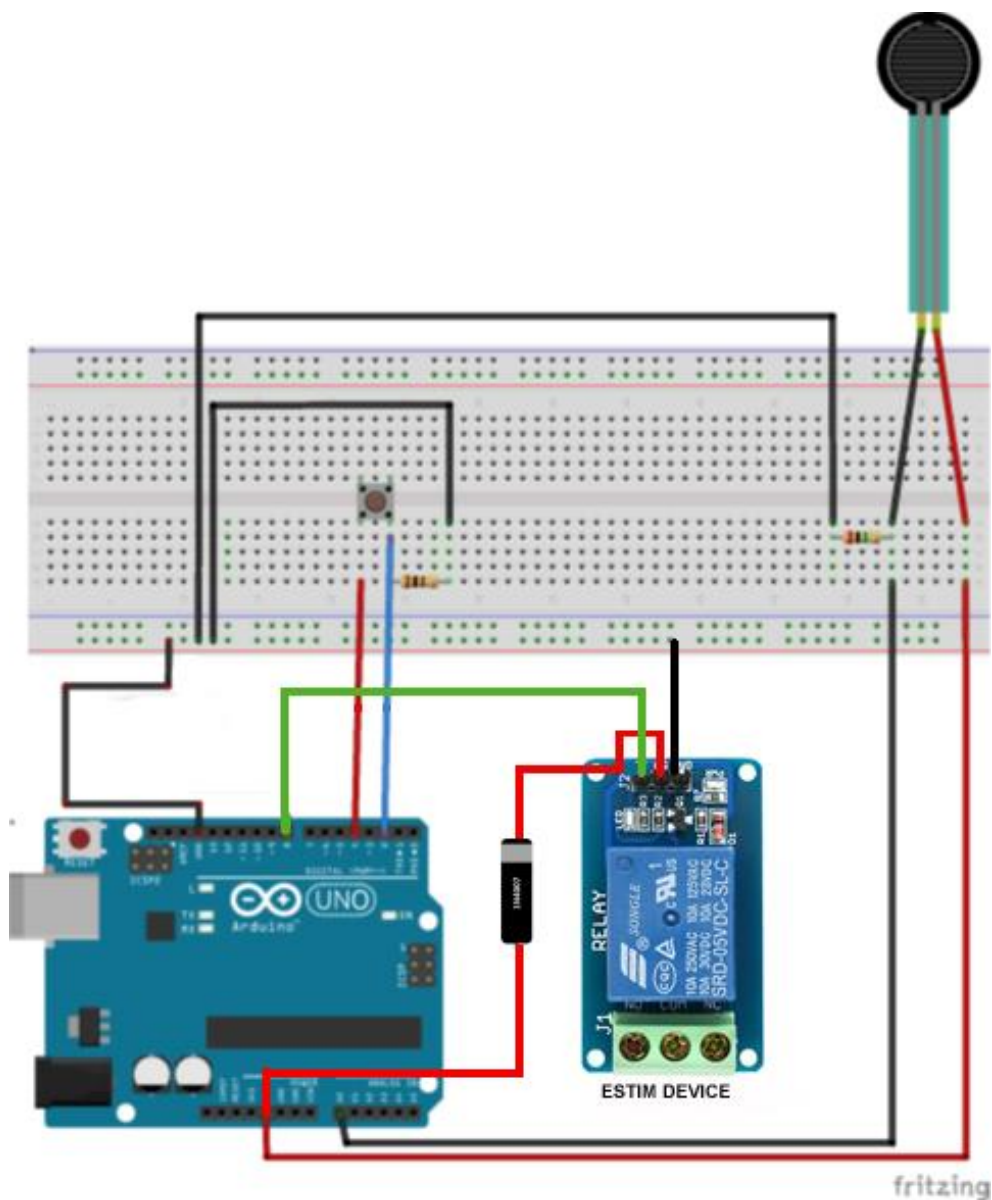


How to build your own eding machine for E-stim Device.

I used the same setup as denial1234. But then I have a relay that is made for Arduino. See drawing.



I have had to do many experiments but I couldn't get an empty loo roll to work with this.

Instead, I bought a plastic tube that fits my size in circumference.

It is only very short because it only needs to be used as a measurement of the pressure. Flexiforce Pressure Sensor is then installed with tape inside the tube.

The output for E-Stim device is only shut connection to one of my 2 leads from E-Stim Device. I only use 1 channel from my E-Stim device.